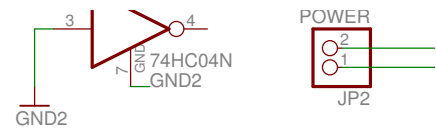
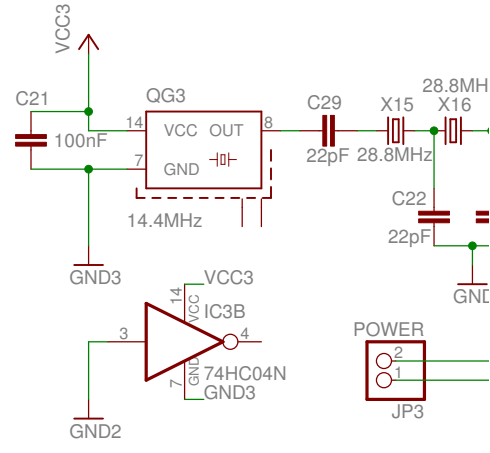


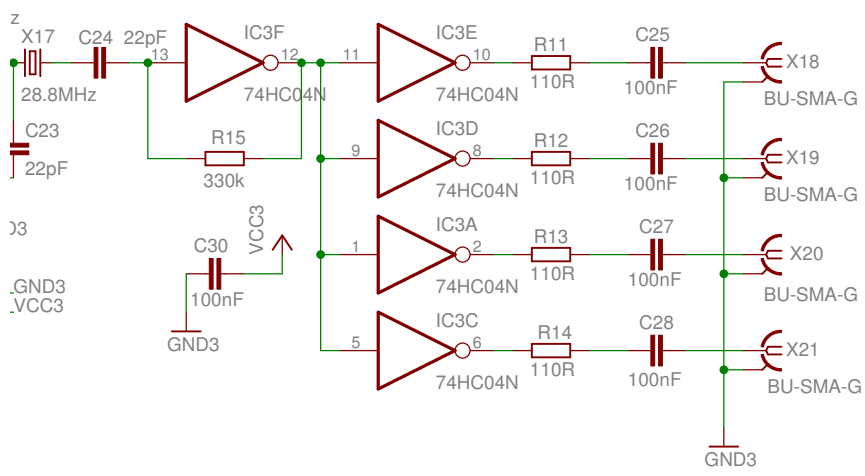
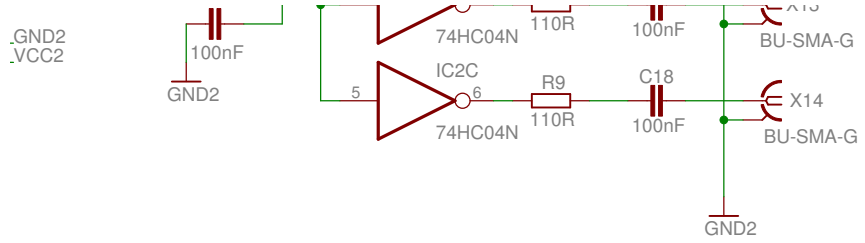
D



E



F

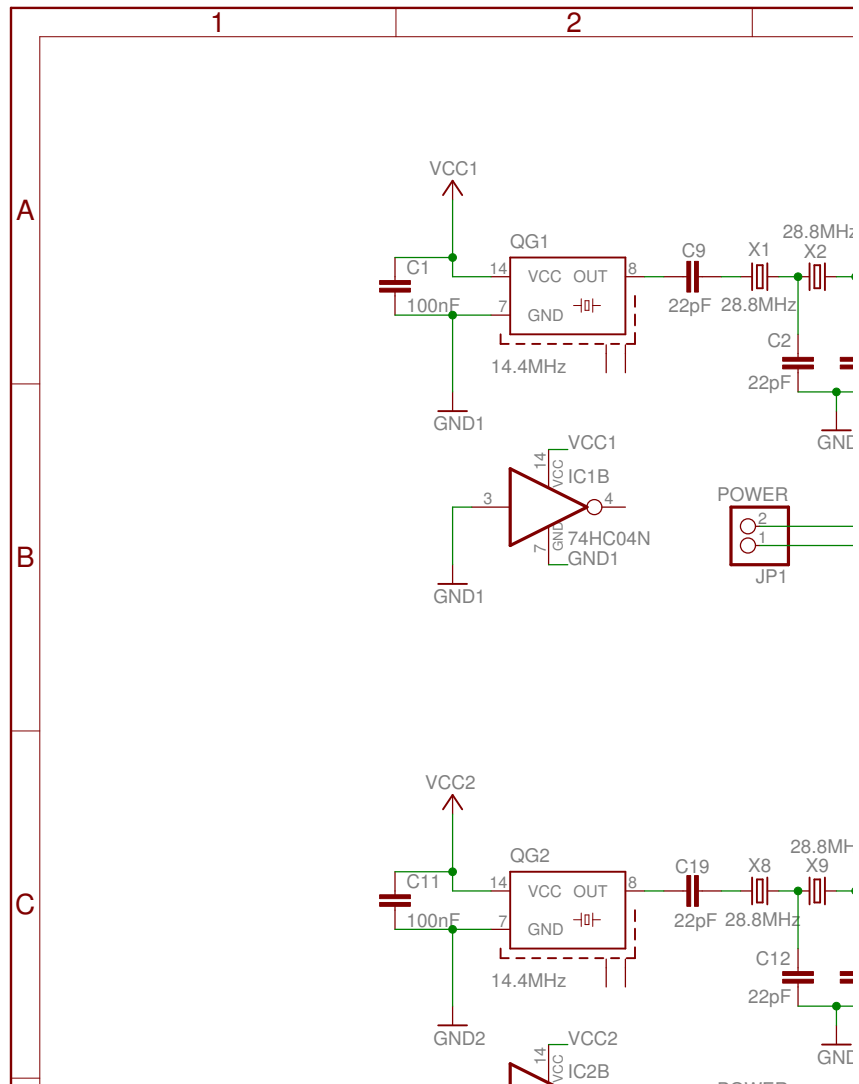


D

E

F

TITLE: oscillator	
Document Number:	REV:
Date: 1/15/16 9:32 PM	Sheet: 1/1



3	4	5	6	7
---	---	---	---	---

